

# More than Office Space

Arena Basingstoke: The Square | Managed for excellence

Thoughtfully created private offices and customised offices.  
For a new way of working to thrive.

Book a  
viewing  
**Today!**

# Arena Basingstoke: The Square

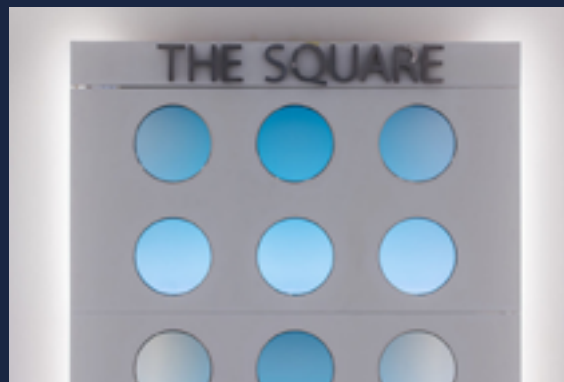
The Square, Basing View,  
Basingstoke, RG21 4EB

Located in the heart of Basing View, our striking Basingstoke centre – known as ‘The Square’ – combines exceptional design, beautiful interiors and world class business facilities to offer a unique workspace experience.

The centre is well-situated within a 5-minute walk of Basingstoke train station and nearby Waitrose.



**Carys England**  
Centre Manager



# Why The Square?

- Iconic, beautiful light filled building.
- Contemporary office suites from 2 to 100 desks with individual climate control & air circulation.
- Interior designed collaboration areas with benches, pods & lounge areas for the exclusive use of our clients.
- Beautiful meeting rooms with the latest state of the art technology & AV designed for innovation.
- Prime location within Basing View, 5 minutes' walk to Basingstoke train station & Waitrose.
- A thriving, inspiring & exclusive working environment for clients & their teams to belong to.



## Work Spaces

With a range of scaleable, flexible and risk free workspaces designed for the needs of modern business, we work consultatively to find the best fit for our clients now and in the future – whatever the future may look like.





## Collaboration Spaces & Meeting Rooms

The Square benefits from world class collaboration areas, a stylish business lounge and stunning board room. They deliver inspirational space away from the office to make a first impression, create a big impact or to generate your best ideas.

# Choose your Workspace



## 3-10 Desks

Our flexible collection of offices allow businesses the freedom to grow on their terms. Short licences, one monthly fee and the ability to upsize, downsize or move out with ease creates a competitive advantage through challenging times.

## 10-20 Desks

It is our intention to share our clients journey, we have worked in mutual partnership with many of our clients over the years and seen them grow from a 10 desk space to a team of 20+. By understanding our clients, regularly communicating and remaining transparent, these offices create an environment to thrive.

## Customising your space

We understand the importance of making the right move, so we help every step of the way. Using our knowledge we work with clients to create a space that truly works for them utilising every sq ft cost effectively. Whether that's creating meeting areas, accommodating a server room or making single offices – we recognise every client is unique.

## A bespoke design service

Great design is at the heart of every Arena, so we make sure our office space is too. We collaborate with the best in the industry to deliver a design service for our clients that will inspire new ways to use their space creatively, collaboratively and considerately.



## Safe working environments

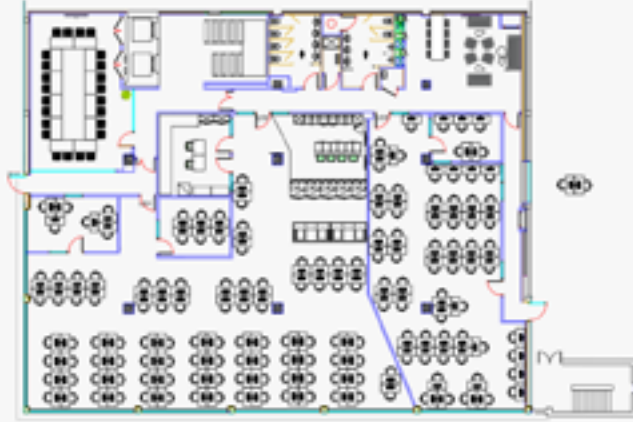
Arena are committed to providing safe and flexible office environments that allow our clients to work with confidence and ease. Our priority now more than ever is to deliver safe, flexible office space that enables our clients to stay agile and adapt to an ever-changing landscape.



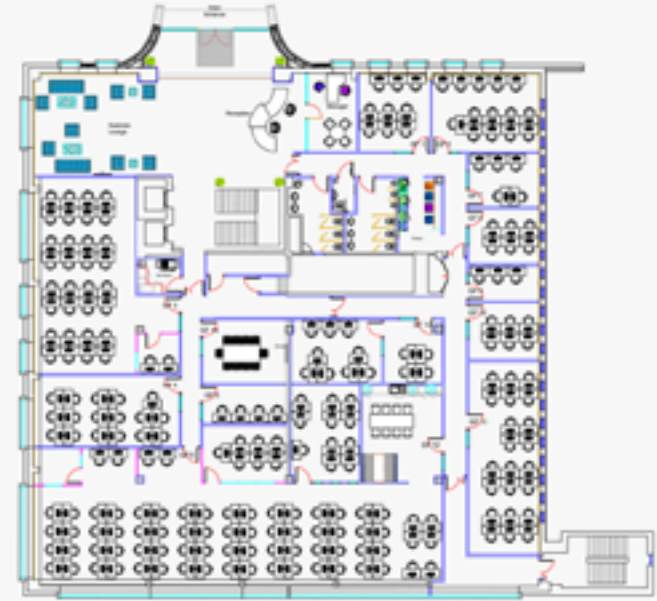


# Arena Basingstoke: The Square

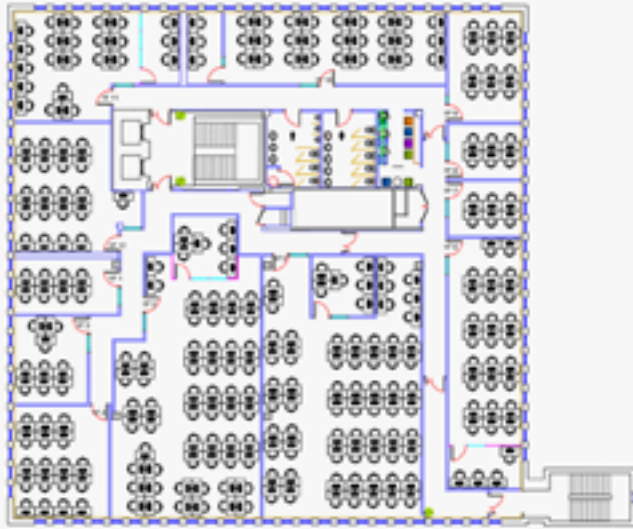
## FLOOR PLANS



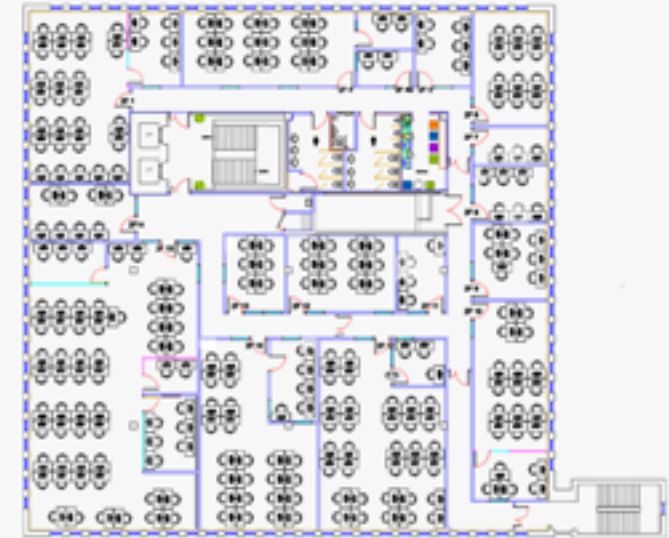
Lower Ground Floor



Ground Floor



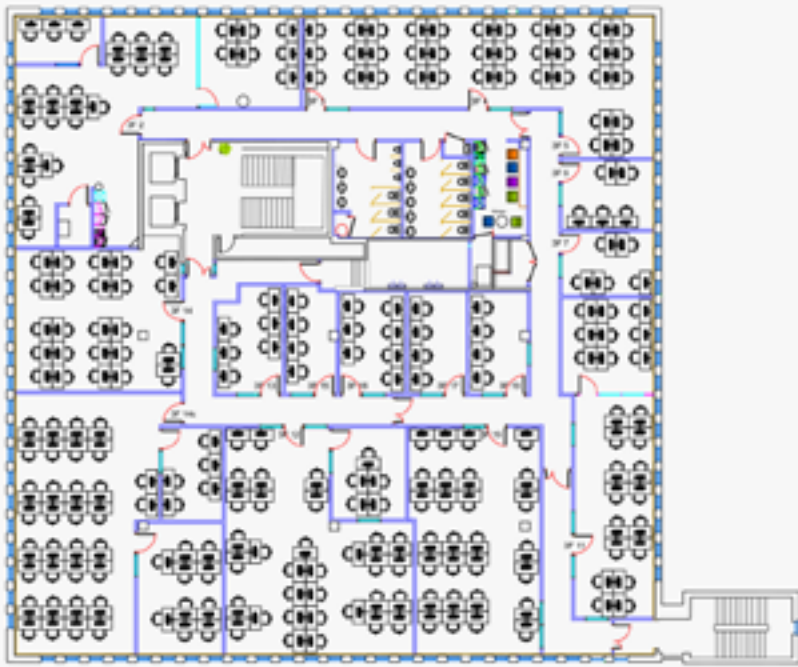
First Floor



Second Floor

# Arena Basingstoke: The Square

## FLOOR PLANS



Third Floor

# Basingstoke: The Square

Located close to Festival Place Shopping Centre, this business centre benefits from an excellent town centre location. This centre is located within a 10 minute walk from Basingstoke train station with frequent, direct services to London Waterloo. The centre is within a 40 minute drive from Heathrow and in close proximity to the M3, providing great access for a simple commute

- Basingstoke Railway Station **0.3 Miles**
- Heathrow Airport **34 Miles**





Book a  
viewing  
**Today!**



We would love to work with you  
please get in touch

0330 124 6598

[arenaoffices.com](https://arenaoffices.com)